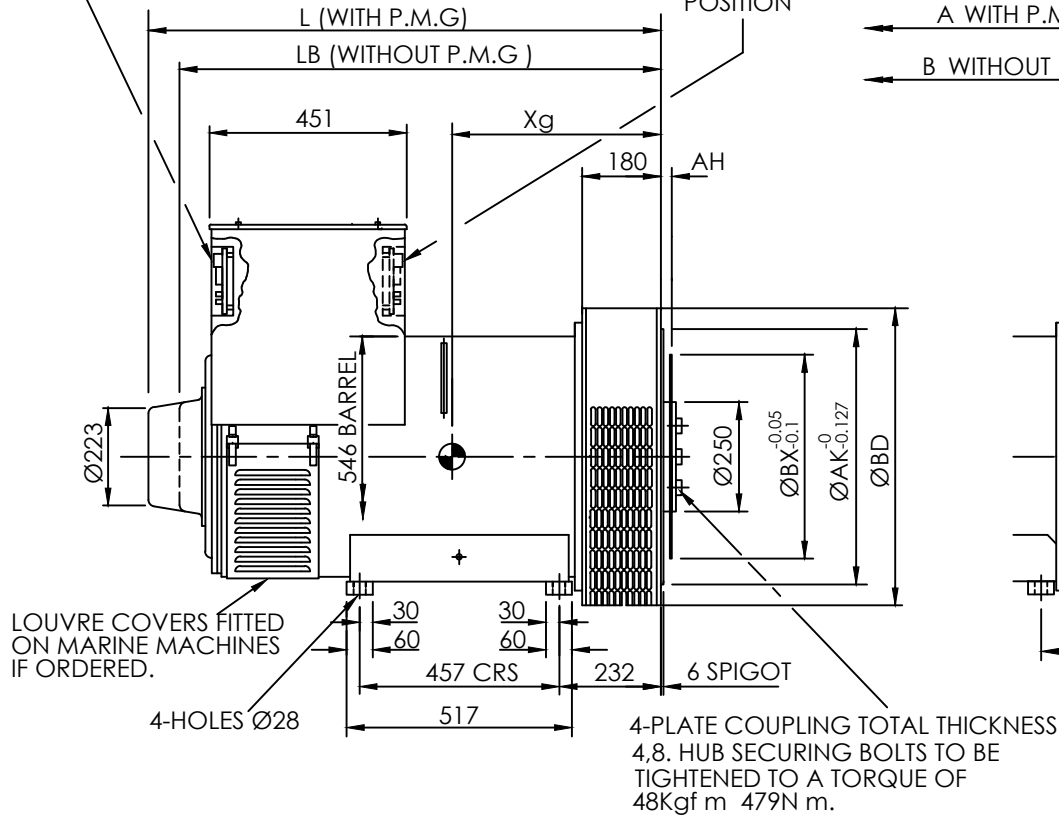
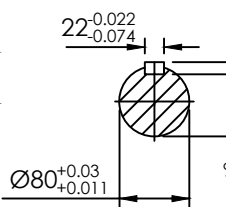
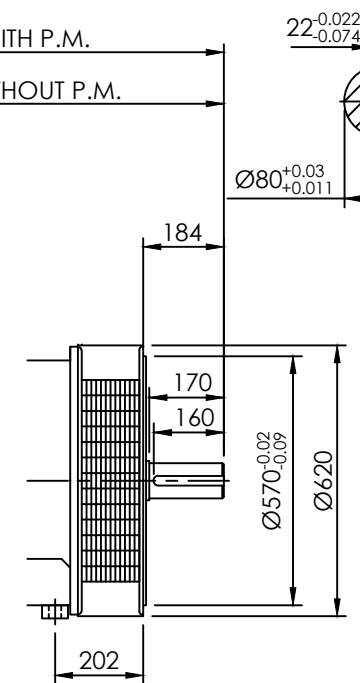


A.V.R. STANDARD POSITION

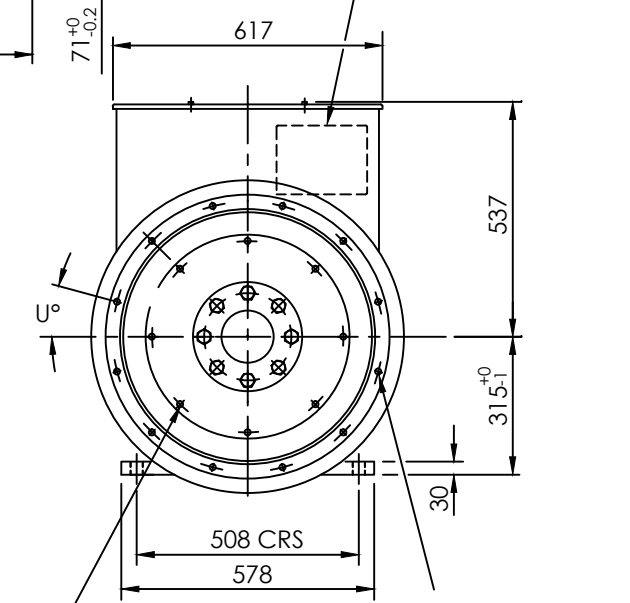
A.V.R. ALTERNATIVE POSITION



A WITH P.M.  
B WITHOUT P.M.



INDICATES POSITION OF A.V.R.



"X"-HOLES "Y" DIA EQUI-SPACED ON "P" PCD

"N"-HOLES "BF" DIA EQUI-SPACED ON "AJ" PCD

COUPLING DISC					
SAE	BX	P	X	Y	AH
18	571.50	542.92	6	16.7	15.7
14	466.72	438.15	8	13.5	25.4
11.5	352.42	333.38	8	11	39.6

DIMENSIONS(mm)							Weight	2-BRG
TYPE	LB	L	Xg	kg	A	B		
SMF315B	1101	1172	463	718	1361	1254		
SMF315CS	1101	1172	473	751	1361	1254		
SMF315C	1101	1172	483	786	1361	1254		
SMF315DS	1101	1172	494	802	1361	1254		
SMF315D	1101	1172	494	812	1361	1254		
SMF315E	1101	1172	504	840	1361	1254		
SMF315F	1191	1262	520	901	1451	1344		
SMF315G	1191	1262	530	943	1451	1344		
SMF315H	1191	1262	540	992	1451	1344		

FLANGE(mm)						
SAE	BD	AK	AJ	U°	BF	N
SAE3	620	409.58	428.62	15	11	12
SAE2	620	447.68	466.72	15	11	12
SAE1	637	511.18	530.22	15	14	12
SAE1/2	658	584.20	619.12	15	14	12
SAE0	715	647.70	679.45	11.25	14	16

				SMF315	1:1	5008012
				SAE:	A2	
VER	MOD	DRW	Date	GB/T1804-m	mm	SINOCOX
Design		APP				
CHK		Date	2018.11			