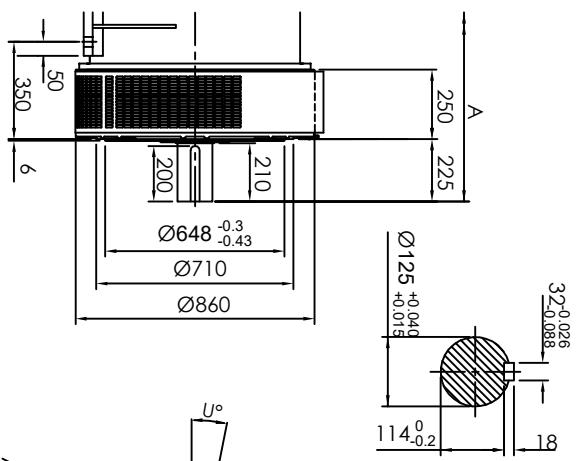
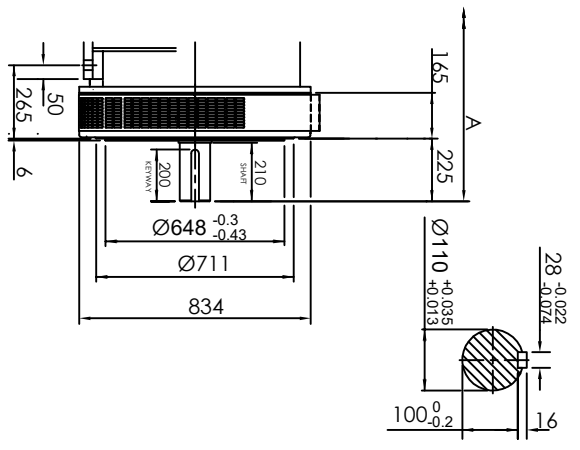


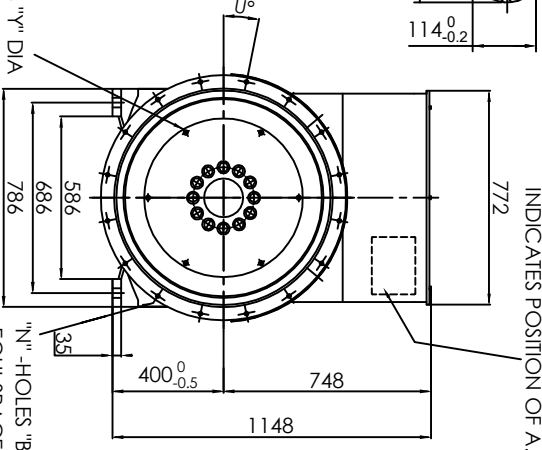
SMU400B-F

SMU400G



"X"-HOLES "Y" DIA
EQUI-SPACED
ON "P" PCD

"N"-HOLES "B" DIA
EQUI-SPACED ON
"A" PCD



COUPLING DISC							
SAE	BX	P	X	Y	AH		
24	733.42	692.15	12	20.7	0		
21	673.10	641.35	12	16.7	0		
18	571.50	542.92	6	16.7	15.7		
14	466.72	438.15	8	13.5	25.4		

FLANGE (mm)							
SAE	BD	AK	AJ	U ^a	BF	N	
SAE1	835	511.18	530.22	15	14	12	
SAE1/2	835	584.20	619.12	15	14	12	
SAE0	835	647.70	679.45	11.25	14	16	
SAE00	883	787.40	850.90	11.25	14	16	

DIMENSIONS(mm)	Weight			
	LB	XG	KG	A
SMU400B	1578	578	1840	1718
SMU400C	1578	591	1902	1718
SMU400D	1578	597	2000	1718
SMU400E	1578	607	2135	1718
SMU400F	1578	625	2380	1718
SMU400G	1679	735	2595	1904

SMU400	1:1	A2	7008011	SINOCOX		
SAE:						
VER	MOD				DRW	Date
Design	APP				Date	2018.11
CHK						
GB/T1804-m			mm			