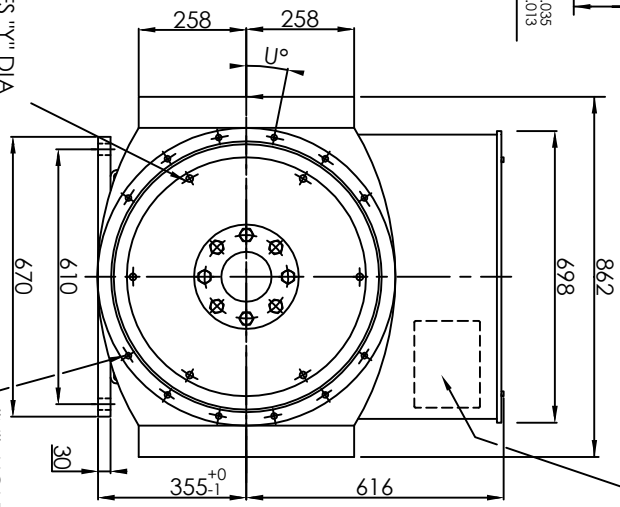


"X"-HOLES "Y" DIA
EQUI-SPACED ON
"P" PCD

"N"-HOLES "B" DIA
EQUI-SPACED ON
"A" PCD



DIMENSIONS (mm)						Weight		2-BRG	
TYPE	LB	L	X9	kg	A	B			
SMM355B	1266	1337	555	1238	1464	1393			
SMM355C	1266	1337	575	1365	1464	1393			
SMM355DS	1266	1337	595	1405	1464	1393			
SMM355D	1266	1337	595	1485	1464	1393			
SMM355ES	1341	1412	620	1520	1539	1468			
SMM355E	1341	1412	620	1625	1539	1468			

FLANGE(mm)						COUPLING DISC						
SAE	BD	AK	AJ	U°	BF	N	SAE	BX	P	X	Y	AH
SAE1	715	511.18	530.22	15	14	12	21	673.10	641.35	12	16.7	0
SAE1/2	715	584.20	619.12	15	14	12	18	571.50	542.92	6	16.7	15.7
SAE0	715	647.70	679.45	11.25	14	16	14	466.72	438.15	8	13.5	25.4
SAE00	882	787.40	850.90	11.25	14	16						

SMM355				1:1		6008013	
VER	MOD	DRW	Date	SAE:			
Design		APP	Date	GB/T1804-m			
CHK			201401				

SINOCO