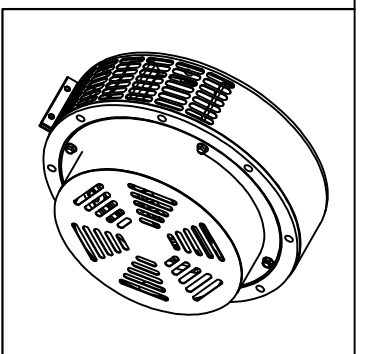
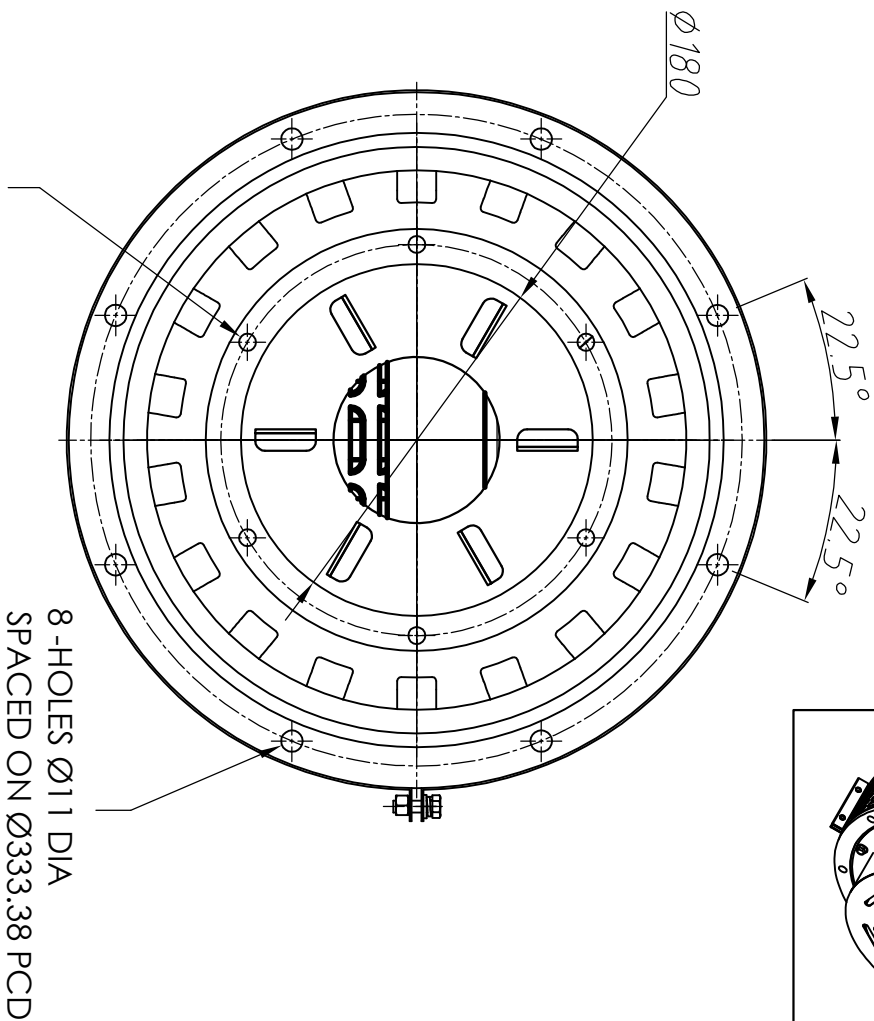


6-HOLES $\phi 9$ DIA
EQUI-SPACED ON
 $\phi 200.02$ PCD



VER	MOD	DRW	Date	#1
Design	App	Date	2021/06/21	
CHK				

SMPD-16-3-1500	#1	1508002
SMPD-16-4-1500	A2	
SMPD-16-5-1500		

GB/T1804-n	mm	SINOCOX
------------	----	---------