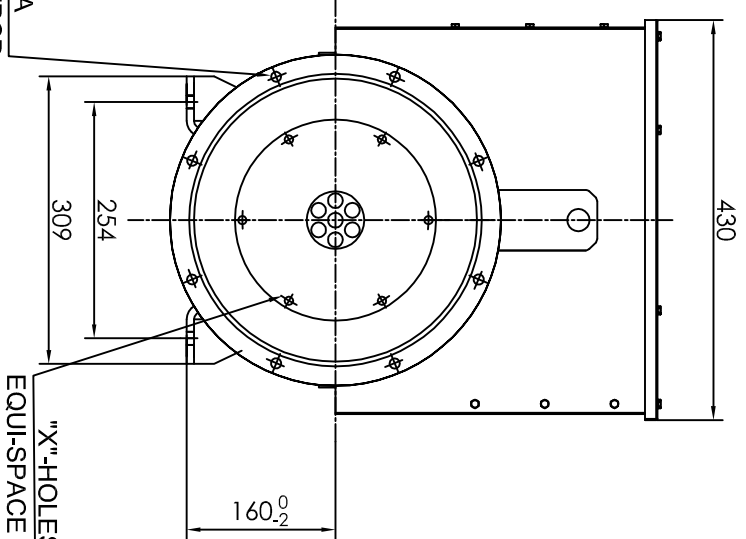
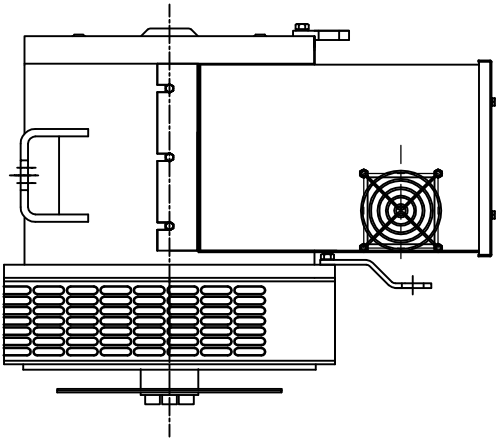
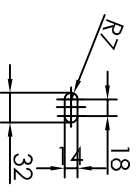


3mm THICK COUPLING DISC
SECURING SCREWS TO BE
TIGHTENED TO A TORQUE
OF 7.6 kgfm (75 Nm)

"N"-HOLES"BF"DIA
EQUI-SPACE ON "AJ"PCD



"X"-HOLES"Y"DIA
EQUI-SPACE ON "P"PCD



COUPLING DISC						
SAE	BX	P	X	Y	AH	
10	314.32	295.28	8	11	53.8	
8	263.52	244.48	6	11	62	
7.5	241.3	222.25	8	9	30.2	
6.5	215.9	200.02	6	9	30.2	

DIMENSIONS (mm)			
SAE	TYPE	LB	weight
SAE 3	SMD160B	376.5	81
	SMD160C	376.5	91
	SMD160D	403.5	99
SAE 4/5	SMD160E	403.5	104
	SMD160B	364.5	80
	SMD160C	364.5	90
	SMD160D	391.5	98
	SMD160E	391.5	103

FLANGE(mm)									
BD	AK	AJ	U°	BF	N	C			
SAE5	356	314.32	333.38	22.5	11	8	133		
SAE4	402	361.95	381	15	11	8	133		
SAE3	451	409.58	428.62	15	11	8	145		
SAE2	489	447.68	466.72	15	11	12	172		

VER	MOD	DRW	Date	SAE:	SMD160	1:1	1008020
Design		App	Date			A2	
CHK			2017/02		GB/11804-m	mm	SINOCO