

17.1kW -37.1kW

SMD180 Range

_ Rev. C _

Application and Standards

SMD160 range product is the DC generator and designed to be applicable for telecom and lighting tower(LED)
Comply with standards of IEC60034,NEMA MG1-32,IS08528,CSA C22.2-100 , VDE 0530 , GB755

Electrical Features

H class insulation
Output of DC voltage is 48V/24V, and can be upto 56V/28V
DC voltage ripple <1%
Is able to provide three different speed signal to engine.

Mechanical Features

Be protected to IP23, and IP44 is optional
Both single bearing and double bearing configurations are available
Sealed for life bearings
Blackening coupling disc
The rotors are dynamically balanced according to ISO 1940. A half-key balanced for double bearings.



Common Data

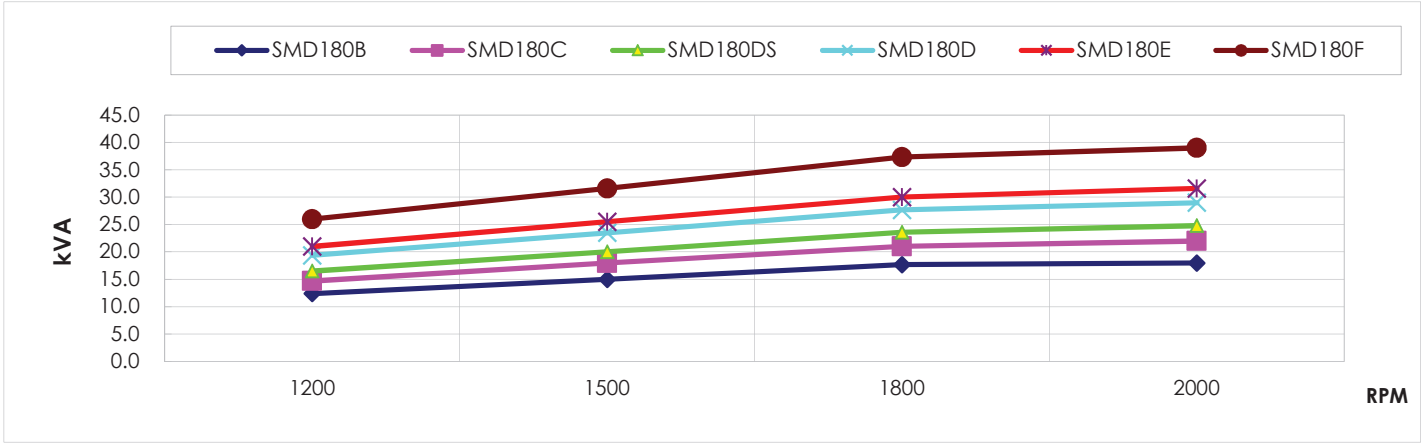
Insulation	H	Overspeed	2500rpm	DC Voltage Ripple	<1%
Altitude	<=1000m	Leads	2	AVR	VR303 / VR307
Protection	IP23			Output Voltage	48V DC/ 24V DC

Rating

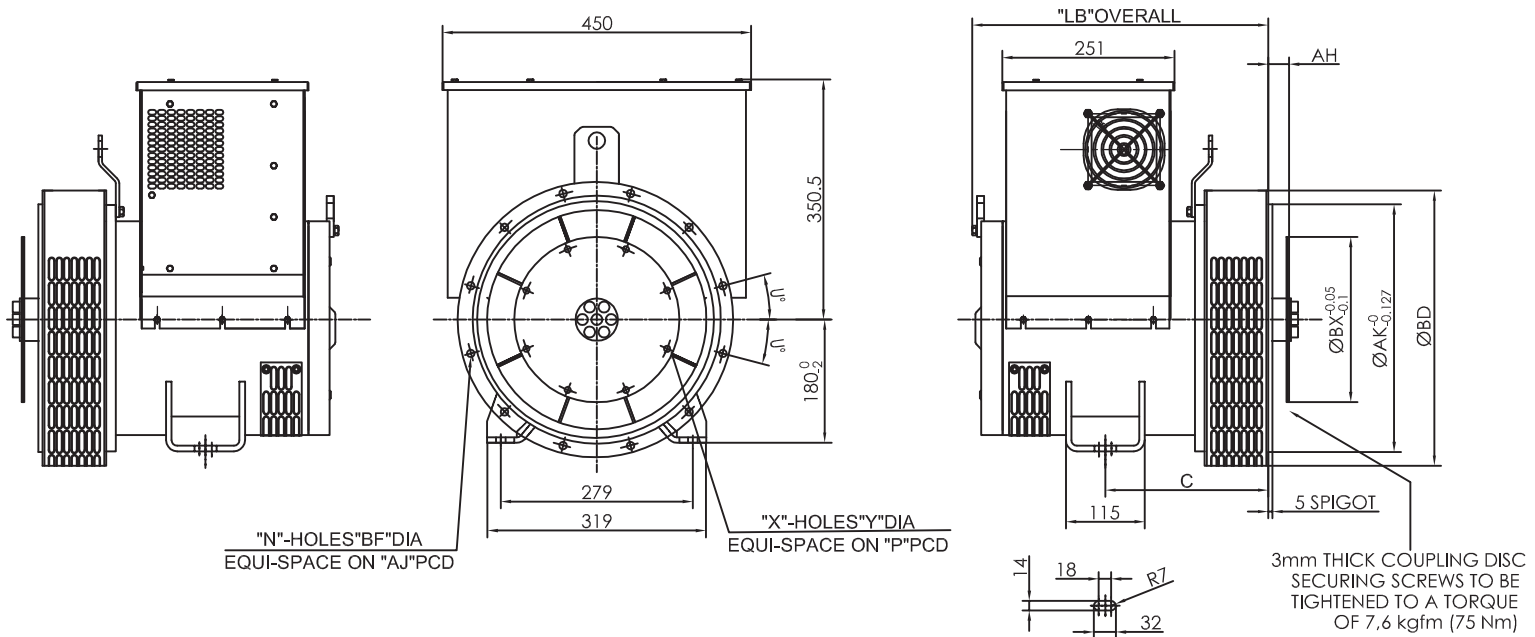
DC Voltage	48V DC				Efficiency	
Rotating Speed	1200	1500	1800	2000		
SMD180B	kVA	12.4	15.0	17.7	18.0	84.3%
	kW	11.8	14.3	16.8	17.1	
SMD180C	kVA	14.7	18.0	21.0	22.0	84.7%
	kW	14.0	17.1	20.0	20.9	
SMD180DS	kVA	16.5	20.0	23.6	24.8	85.6%
	kW	15.7	19.0	22.4	23.6	
SMD180D	kVA	19.4	23.5	27.7	29.0	86.7%
	kW	18.4	22.3	26.3	27.6	
SMD180E	kVA	21.0	25.5	30.0	31.6	87.6%
	kW	20.0	24.2	28.5	30.0	
SMD180F	kVA	26.0	31.6	37.3	39.0	86.6%
	kW	24.7	30.0	35.4	37.1	

Rotating Speed vs. Power

SMD180 B/C/DS/D/E/F



Outline Drawing



Dimension (mm)	SAE 3		SAE 4, 5		Net W.	Gross W.	Packing
Model	LB				kg	kg	L x W x H (mm)
SMD 180B	443.5		431.5		117	130	740×650×700
SMD 180C	443.5		431.5		125	138	740×650×700
SMD 180DS	533.5		521.5		144	157	740×650×700
SMD 180D	533.5		521.5		147	160	740×650×700
SMD 180E	533.5		521.5		170	183	740×650×700
SMD 180F	593.5		581.5		193	206	740×650×700

Flange (mm)								Disc (mm)					
SAE#	BD	AK	AJ	U °	BF	N	C	SAE#	BX	P	X	Y	AH
SAE 5	356	314.32	333.38	22.5	11	8	238	11.5	352.42	333.38	8	11	39.6
SAE 4	408	361.95	381	15	11	12	238	10	314.32	295.28	8	11	53.8
SAE 3	460	409.58	428.62	15	11	12	250	8	263.52	244.48	6	11	62
								7.5	241.3	222.25	8	9	30.2
								6.5	215.9	200.02	6	9	30.2