

## ALTERNATOR

## SMU132 Range

\_ Rev.E \_

### APPLICATION AND STANDARDS

SUPER RELIABLE BRUSHLESS SYNCHRONOUS ALTERNATOR, WITH 3 PHASE AND SINGLE PHASE DESIGN. SINGLE PHASE DESIGN IS DEDICATED FOR AC LED LIGHTING TOWER.

COMPLY WITH STANDARDS OF IEC60034, NEMA MG1-22, IS08528, CSA C22.2-100, VDE 0530, GB755

### SPECIAL FEATURES

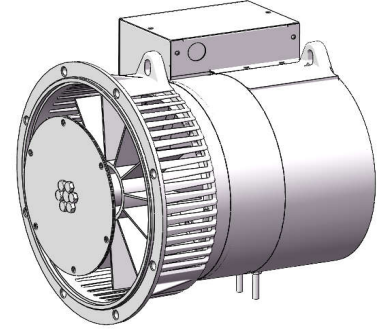
Voltage Accuracy:  $\pm 1\%$  by AVR SX460 controlled with excitor.

Applied standard 2/3 pitch winding to avoid 3rd harmonic.

Insulation: Class H with VPI+ Special epoxy protection.

Leads: 12 Leads for 3 phase and 4 Leads for single phase which permitted re-connect.

Aluminum front and rear bracket for less weight.

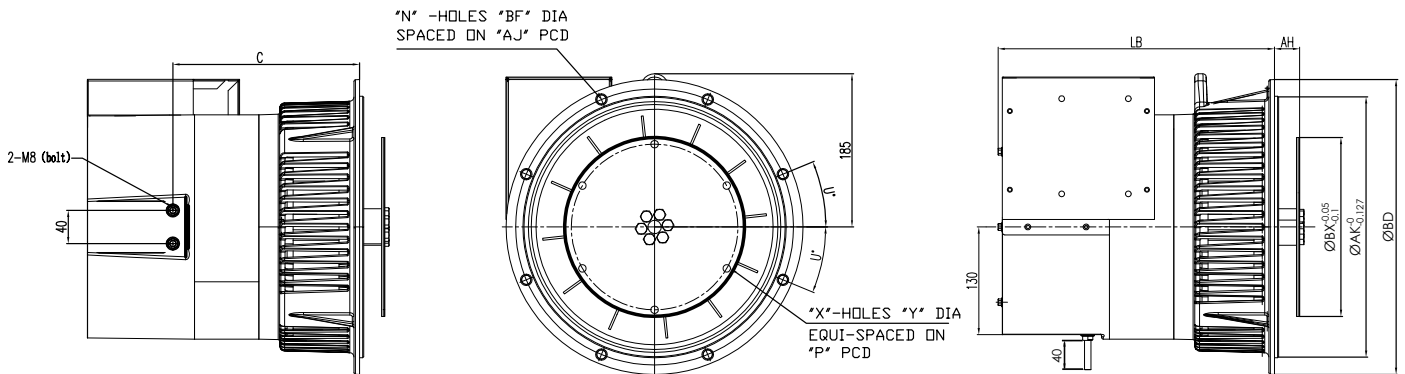


### COMMON DATA

INSULATION	ALTITUDE	OVERSPEED	PROTECTION	PITCH	AVR	VOLTAGE REGULATION	WAVEFORM DISTORTION	TIF	THF
H/H	$\leq 1000m$	2250 rpm	IP23	2/3	SX460	$\pm 1\%$	$< 1.5\%$ NO LOAD	$< 50$	$< 2\%$

H Degree	50HZ		60HZ		50Hz/1500RPM/PF 0.8/3 Phase					60Hz/1800RPM/PF 0.8/3 Phase						
	Single Phase		125°C/40°C Prime		163°C/27°C Standby		Effi.	125°C/40°C Prime		163°C/27°C Standby		Effi.				
Y	125°C/40°C Prime Power PF=1		380	400	400		400	460	480	480		480				
YY			190	200	200		200	230	240	240		240				
$\Delta$			220	230	230		230	266	277	277		277				
Rating	115V/230V	120V/240V														
	kVA/kW	kVA/kW	kVA	kW	kVA	kW	kVA	kW	%	kVA	kW	kVA	kW	kVA	kW	%
SMU132BS	3	4	-	-	-	-	-	-	-	-	-	-	-	-	-	-
SMU132B	4	5	5.0	4.0	5.0	4.0	5.5	4.4	68.7	6.3	5.0	6.3	5.0	7.5	6.0	72.1
SMU132C	6	8	7.5	6.0	7.5	6.0	8.0	6.4	74.6	9.0	7.2	9.0	7.2	11.0	8.8	77.7
SMU132D	8	10	10.0	8.0	10.0	8.0	12.0	9.6	77.5	12.5	10.0	12.5	10.0	15.0	12.0	80.0
SMU132E	10	12	12.5	10.0	12.5	10.0	13.5	10.8	79.7	15.0	12.0	15.0	12.0	18.8	15.0	82.1

### Dimensions:



SAE 5				
TYPE	KVA	LB	C	Kg
SMU132BS	3	311.6	204	39
SMU132B	4	321.6	214	42
SMU132C	6	346.6	239	52
SMU132D	8	366.6	259	59
SMU132E	10	391.6	284	69

SAE4				
TYPE	KVA	LB	C	Kg
SMU132BS	3	318.6	211	45
SMU132B	4	328.6	221	48
SMU132C	6	353.6	246	58
SMU132D	8	373.6	266	65
SMU132E	10	398.6	291	75

FLANGE(mm)						
	BD	AK	AJ	U°	BF	N
SAE5	356	314.32	334.38	22.5	11	8
SAE4	402	361.95	381	15	11	8
COUPLING DISC						
SAE	BX	P	X	Y	AH	
7.5	241.3	222.25	8	9	30.2	
6.5	215.9	200.02	6	9	30.2	